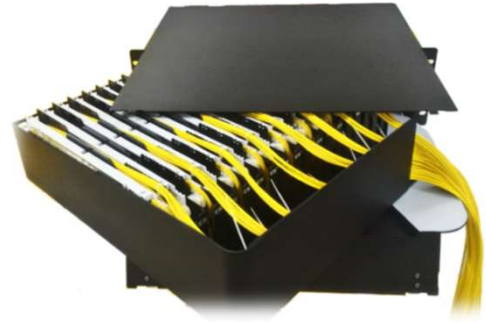


## PEACOC™ 3RU Splice Chassis

### Description:

The Go!Foton PEACOC™ 3RU Splice Chassis is a high density rack-mount splice enclosure used to securely store & manage fiber splices for high density fiber distribution applications. It is designed to accommodate up to three (3) units of 144F fully loaded 1RU PEACOC™ fiber patch panels using single fusion splices.



### Features:

- Up to 432 fiber splices per 3RU
- Mounts into standard 19"/23" racks and frames
- Accommodates several splice tray styles (any splice trays that will not exceed the outside dimensions of (270mmL x 98mmW x 11.5mmH)
- Spools up to 1.25~2.5meters of excess cable buffer tubing on the back side of each trays
- Uses a sliding and rotating mechanism within the chassis for full & easy tray and fiber cable access

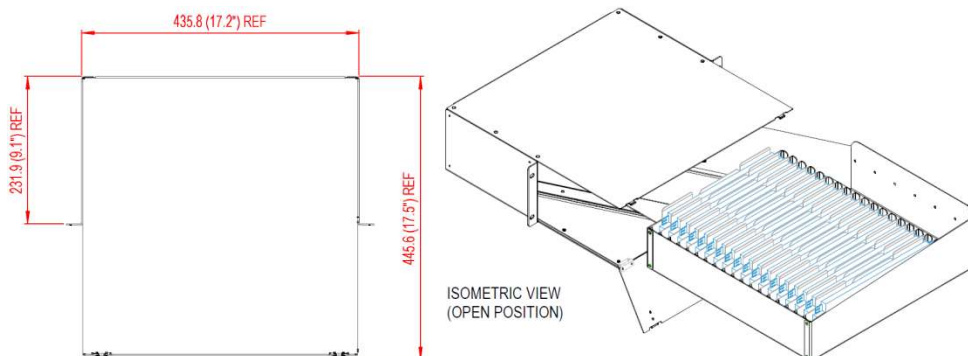


### Applications:

- Telecommunication Networks
- Data Communication Networks
- Optical System Access Networks
- Broadband / CATV Networks



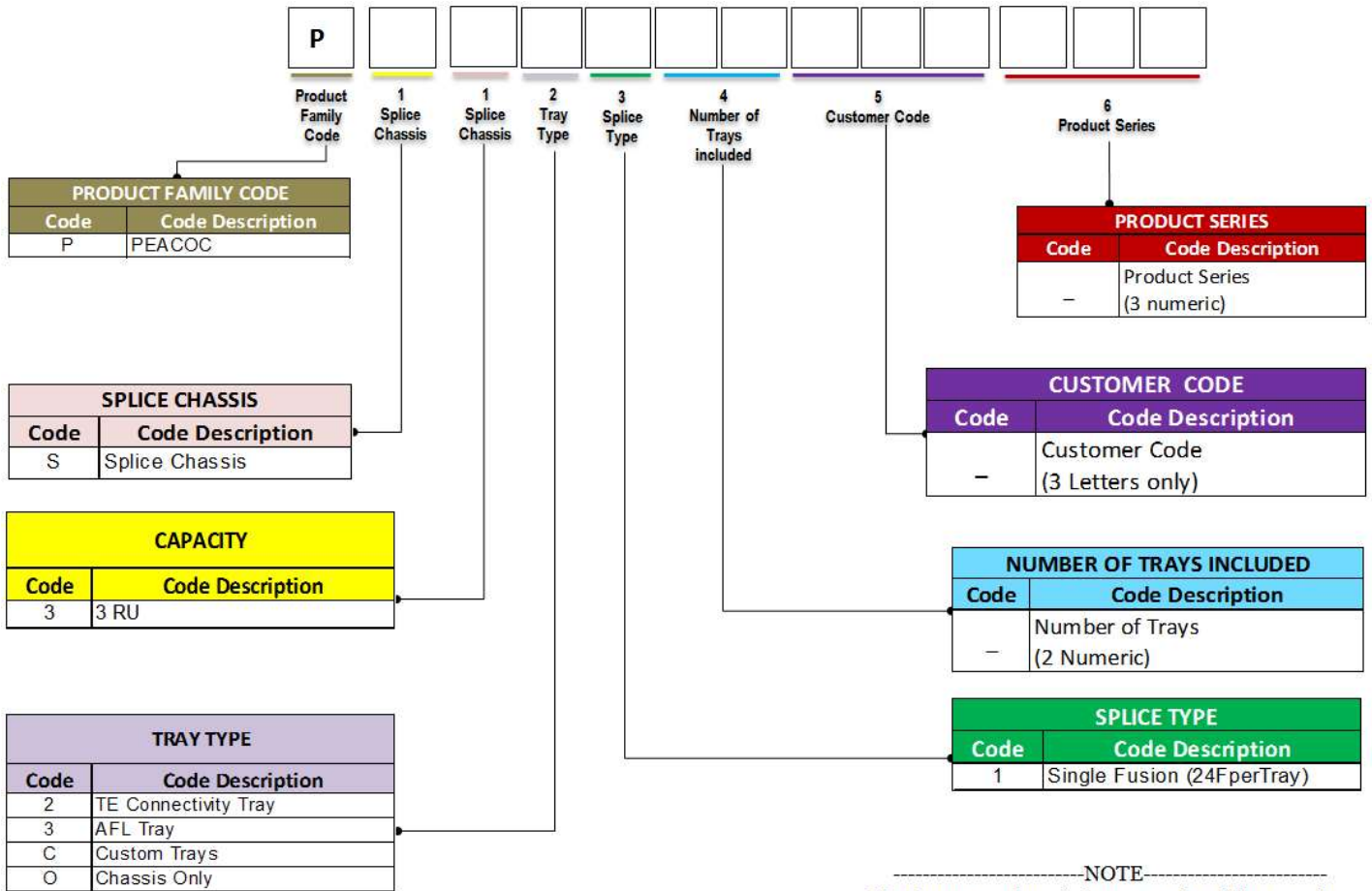
### PEACOC™ 3RU Splice Chassis Drawing:



## PEACOC™ 3RU Splice Chassis Specifications:

Number of Splice Tray	18
Number of Splices Per Tray	24 single fiber splices
Total Splices Per 3RU	432 single fiber splices
Access Direction	Front (Slide & Rotate Mechanism)
Height	3RU (~5.25")
Width	19" Rack standard (default); 23" Rack standard (w/extender brackets)
Depth	17.5"

### Ordering Guide:



### Example Order Code:

**Order Code:** PS32118

**Description:** 3RU Splice Chassis with 18 TE trays installed, single fusion.

