

## FEATURES:

- ITU Recommended Wavelength Grid
- High Isolation
- Telcordia GR-1221 Compliant
- Low Polarization Dependent Loss
- Low Insertion Loss
- Flat and Wide Passband
- Epoxy- Free Optical Path
- Exceptionally Stable and Reliable
- RoHS Compliant (Lead Free)



## APPLICATIONS:

- B-PON/ G-PON/ E-PON/ Ge-PON
- FTTx

## DESCRIPTION:

Go!Foton's High Isolation EWDM is ideal for FTTx and B-PON/ G-PON applications. This coupler is based on Go!Foton's new SELMUX™ patented technology which optimizes glass, epoxy and Filter-on-Lens (FOL) technologies to create a High Isolation 3-port EWDM device with low PDL, low insertion loss and stable environmental performance in a compact size. Because of this revolutionary technology, Go!Foton's High Isolation EWDM are one of the smallest packaging sizes available in the market today. All SELMUX products have eliminated soldering in the manufacturing process so they are completely lead-free and comply with EU directives on Restriction of Hazardous Substances or RoHS.

## WAVELENGTH SPECTRUM:



Note: Sample Spectrum only.

**Go!Foton Inc. (Japan)**  
5-4 Tokodai, Tsukuba City  
Ibaraki Pref. Japan, 300-2635  
Tel: +81 029 847 8686  
Fax: +81 029 847 8693  
www.gofoton.co.jp

**Go!Foton Europe Sales**  
Hoogerheide  
The Netherlands  
CustomerCare@gofoton.com  
Tel: +31 164 62 04 22  
Fax: +31 164 62 04 17  
www.gofoton.eu

**GF Micro Optics Philippines, Inc.**  
LTI Standard Factory Building  
134 East Main Avenue, SEPZ  
Laguna Technopark,  
Biñan, Laguna 4024 Philippines  
Tel: +63 2 751 0304  
Fax: +63 2 751 0305  
www.gofoton.ph

**Go!Foton Nanjing Company Ltd.**  
Nanjing Jiangning National  
High Tech Industrial Park  
Nanjing Jiangning Science Park  
2 Qiande Road, Building 7, 1st Floor  
Jiangning, Nanjing  
Jiangsu, 211100, China  
Tel: +86 25 5216-3442  
www.gofoton.cn

**Go!Foton West Coast Sales**  
100 Century Center Court, Suite 203  
San Jose, CA 95112, USA  
**Go!Foton Headquarters**  
28 World's Fair Drive  
Somerset, NJ 08873, USA  
Tel: +1 732 469 9650  
Fax: +1 732 469 9654  
www.gofoton.com

## SPECIFICATION:

The products supplied to this specification shall meet or exceed all the requirements specified herein.

### A. OPTICAL AND ELECTRICAL CHARACTERISTICS

PARAMETER	UNIT	SYMBOL	PORT	SPECIFICATION	
Operating Wavelength Range	nm	WL	All	1260~1560	
Pass Channel Wavelength Range <sup>1</sup>	nm	$\Lambda_P$	P1→P3	<b>Short Pass</b>	<b>Long Pass</b>
				1260~1360 + 1480~1500	1550~1560
Reflection Channel Wavelength Range <sup>1</sup>	nm	$\Lambda_R$	P1→P2	1550~1560	1260~1360 + 1480~1500
Pass Channel Insertion Loss	dB	IL <sub>P</sub>	P1→P3	≤1.0	
Reflection Channel Insertion Loss	dB	IL <sub>R</sub>	P1→P2	≤1.2	
Wavelength Dependent Loss	dB	WDL	All	≤0.50	
Pass Channel Isolation	dB	ISO <sub>P</sub>	P1→P3	≥40 @ $\Lambda_R$	
Reflection Channel Isolation	dB	ISO <sub>R</sub>	P1→P2	≥40 @ $\Lambda_P$	
Polarization Dependent Loss	dB	PDL	All	≤0.20	
Return Loss	dB	RL	All	≥50	
Directivity	dB	Dir	P2↔P3	≥50	
Maximum Optical Power Handling	mW	P	All	500	
Operating Temperature	°C	T <sub>OP</sub>	All	-40~+85	
Operating Humidity Range (No Condensation)	%RH	RH	All	+5~+85	
Storage Temperature Range	°C	T <sub>ST</sub>	All	-40~+85	

All specifications are with connectors.

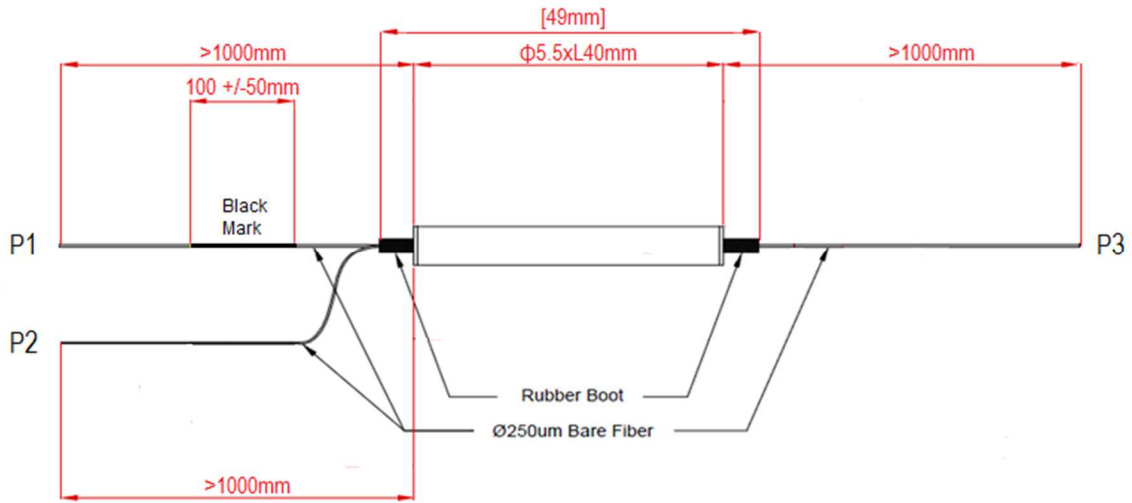
1 -- Depends on the requirement. See Ordering information.

### B. MECHANICAL SPECIFICATIONS

PARAMETER	UNIT	SYMBOL	PORT	SPECIFICATION	
Fiber Type <sup>2</sup>	-	FT	All	ITU G657A2/B2 and G652D Compliant Fiber	
Fiber Length <sup>3</sup>	mm	FL	All	<b>No Connector</b>	<b>With Connector</b>
				>1000	1000 +/-100
Fiber Protection <sup>4</sup>	-	FP	All	Ø250um Bare Fiber	
Port Identification	-	PI	P1	Black Mark (100 +/-50mm)	
			P2	None	
			P3	None	
Package Size (Cylindrical Metal Housing) <sup>5</sup>	mm	PS	-	Ø5.5xL40[49]	

2/3/4/5 -- See ordering information. Connector termination is available upon request.

## C. PACKAGE DIMENSIONS



Note: Sample Illustration only.

**Go!Foton Inc. (Japan)**  
5-4 Tokodai, Tsukuba City  
Ibaraki Pref. Japan, 300-2635  
Tel: +81 029 847 8686  
Fax: +81 029 847 8693  
www.gofoton.co.jp

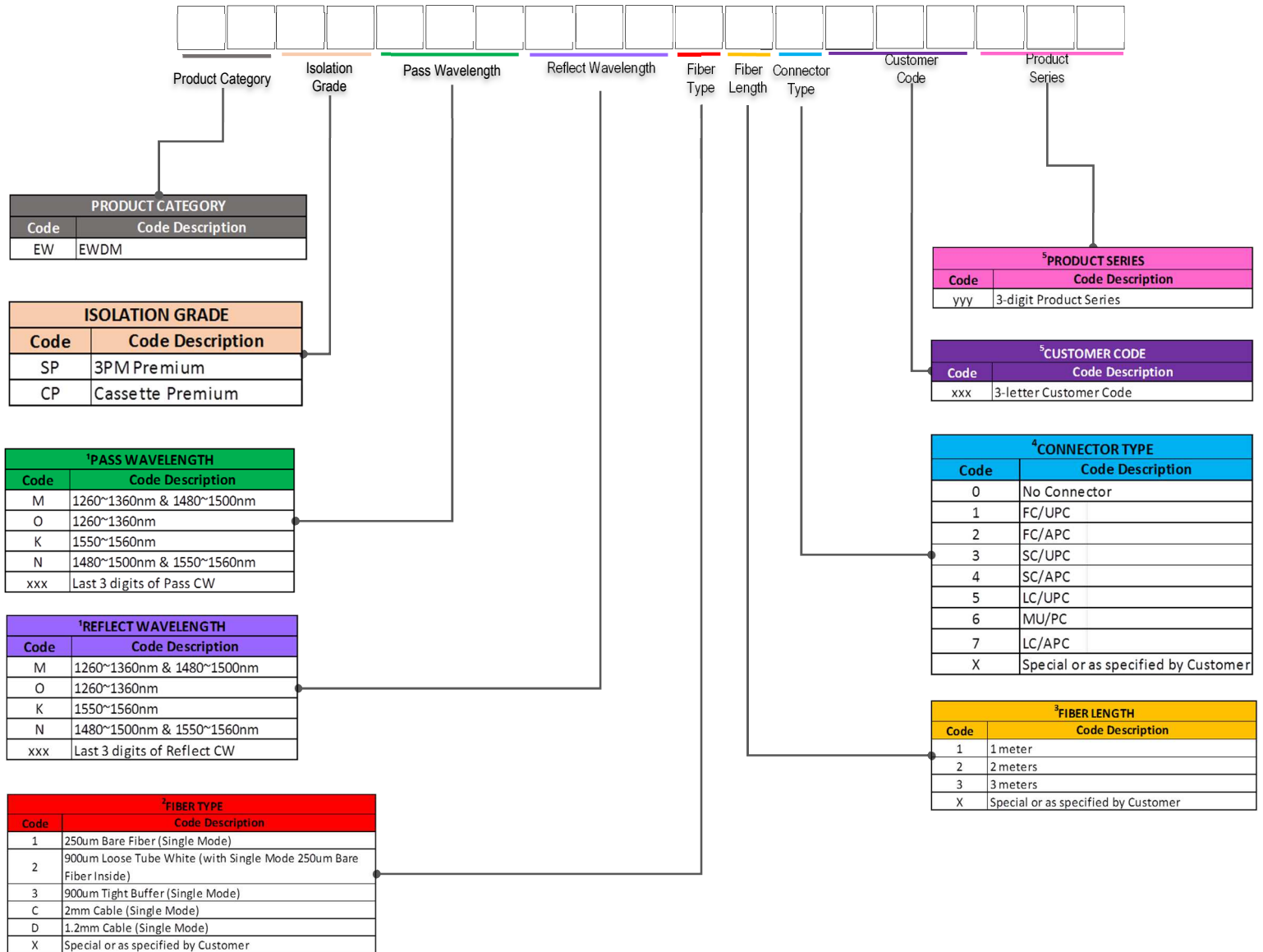
**Go!Foton Europe Sales**  
Hoogerheide  
The Netherlands  
CustomerCare@gofoton.com  
Tel: +31 164 62 04 22  
Fax: +31 164 62 04 17  
www.gofoton.eu

**GF Micro Optics Philippines, Inc.**  
LTI Standard Factory Building  
134 East Main Avenue, SEPZ  
Laguna Technopark,  
Biñan, Laguna 4024 Philippines  
Tel: +63 2 751 0304  
Fax: +63 2 751 0305  
www.gofoton.ph

**Go!Foton Nanjing Company Ltd.**  
Nanjing Jiangning National  
High Tech Industrial Park  
Nanjing Jiangning Science Park  
2 Qiande Road, Building 7, 1st Floor  
Jiangning, Nanjing  
Jiangsu, 211100, China  
Tel: +86 25 5216-3442  
www.gofoton.cn

**Go!Foton West Coast Sales**  
100 Century Center Court, Suite 203  
San Jose, CA 95112, USA  
**Go!Foton Headquarters**  
28 World's Fair Drive  
Somerset, NJ 08873, USA  
Tel: +1 732 469 9650  
Fax: +1 732 469 9654  
www.gofoton.com

## ORDERING INFORMATION:



### Notes:

- <sup>1</sup>3-digit wavelength is only applicable for those products with requirements outside the Standard Wavelength offered.
- <sup>2</sup> Standard Fiber Type is ITU-T G657.A2/B2 and G652.D Compliant Single Mode Fiber..
- <sup>2</sup>Standard Package Size is OD5.5mm x L40[49]mm for Fiber Type 1~3. For 1.2mm cable, Package Size is OD3.2mm x L65[75]mm.
- <sup>2</sup>Standard Package size for Cassette is 60x35x6mm
- <sup>3</sup>Fiber length tolerance is +/-0.1 meter for products with connector termination.
- <sup>4</sup> All ports are with connector of the same type.
- <sup>5</sup>Only applicable for products which are not covered by the Standard Specification.

### EXAMPLE:

**EWSPKM310**

EWDM, 3PM Premium Grade, 1550~1560nm Pass Wavelength, 1260~1360nm and 1480~1500nm Reflect Wavelength, 900um Tight Buffer, 1 meter length, no connector on all ports.

**GoFoton Inc. (Japan)**  
5-4 Tokodai, Tsukuba City  
Ibaraki Pref. Japan, 300-2635  
Tel: +81 029 847 8686  
Fax: +81 029 847 8693  
www.gofoton.co.jp

**GoFoton Europe Sales**  
Hoogerheide  
The Netherlands  
CustomerCare@gofoton.com  
Tel: +31 164 62 04 22  
Fax: +31 164 62 04 17  
www.gofoton.eu

**GF Micro Optics Philippines, Inc.**  
LTI Standard Factory Building  
134 East Main Avenue, SEPZ  
Laguna Technopark,  
Biñan, Laguna 4024 Philippines  
Tel: +63 2 751 0304  
Fax: +63 2 751 0305  
www.gofoton.ph

**GoFoton Nanjing Company Ltd.**  
Nanjing Jiangning National  
High Tech Industrial Park  
Nanjing Jiangning Science Park  
2 Qiande Road, Building 7, 1st Floor  
Jiangning, Nanjing  
Jiangsu, 211100, China  
Tel: +86 25 5216-3442  
www.gofoton.cn

**GoFoton West Coast Sales**  
100 Century Center Court, Suite 203  
San Jose, CA 95112, USA  
**GoFoton Headquarters**  
28 World's Fair Drive  
Somerset, NJ 08873, USA  
Tel: +1 732 469 9650  
Fax: +1 732 469 9654  
www.gofoton.com