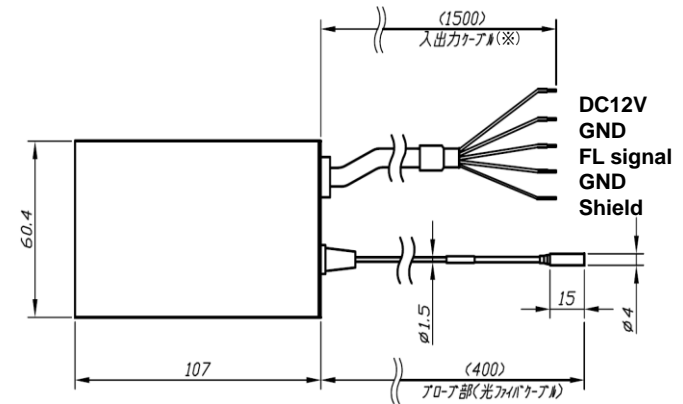
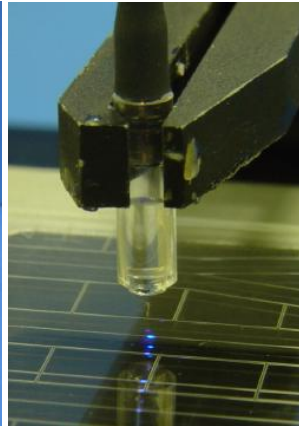
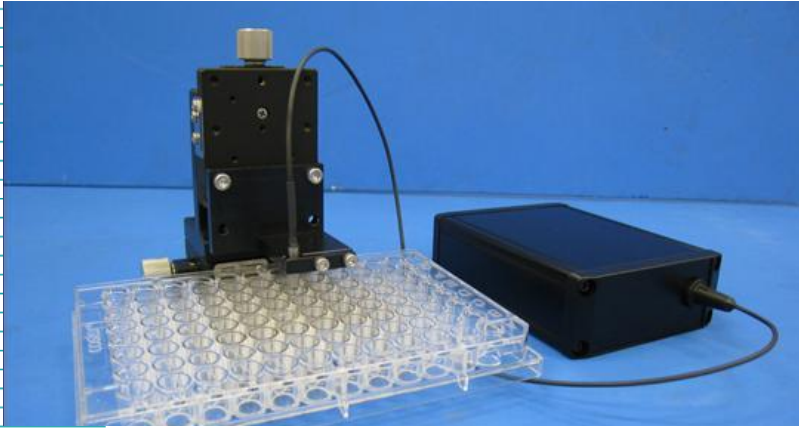


Fluorescence Detector FLE500



- Low-cost version of FLE1100 with similar optical characteristics
- Allows for easy measurements just by bringing probes to specimen
- Works in high ambient light



Features

- Suitable combination of an wavelength-division micro-optics, a probe, and a controller enables fluorescence detection just after buying it.
- Just analog output, but similar optical characteristics as FLE1100 such as wide varieties of micro-optical probes, wavelength varieties, and working in high ambient light, are obtainable with lower cost.
- R, G, B, Violet, and UV-excitation types are lined-up.
- Please contact with us for asking customization.

Applications

- Measurements of traces of reagents and microfluids.

Specifications

- Probe size: 4mm in dia. (Typ.)
- Working distance: 1 – 2mm (Typ.)
- Inspection area: 0.2mm in dia. (Typ.)
- Sensitivity: 5nM approximately (e.g. FITC, Resolufin, and Cy5, depending on the shape of specimen)
- Upper temperature limit of probe: 110°C
- Signal output: analog voltage
- Applied voltage: 12V DC
- Size: 107 x 60 x 30mm

Go!Foton Corporation Bring Light to Life

Walter.Boyles@gofoton.com Phone: 732-469-9650 Fax: 732-469-9654

www.gofoton.com

The information may be changed without any notice.

120208 GF-FLE 500-EN